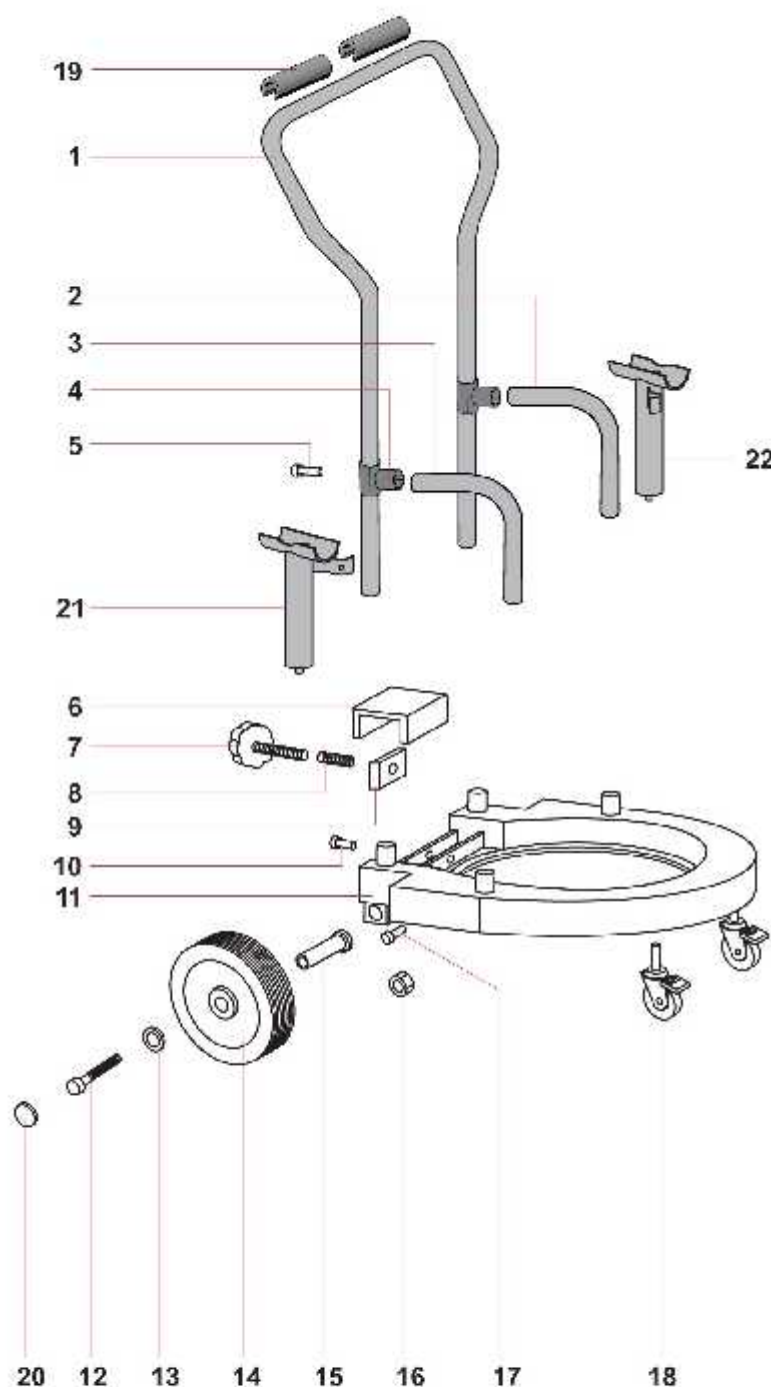
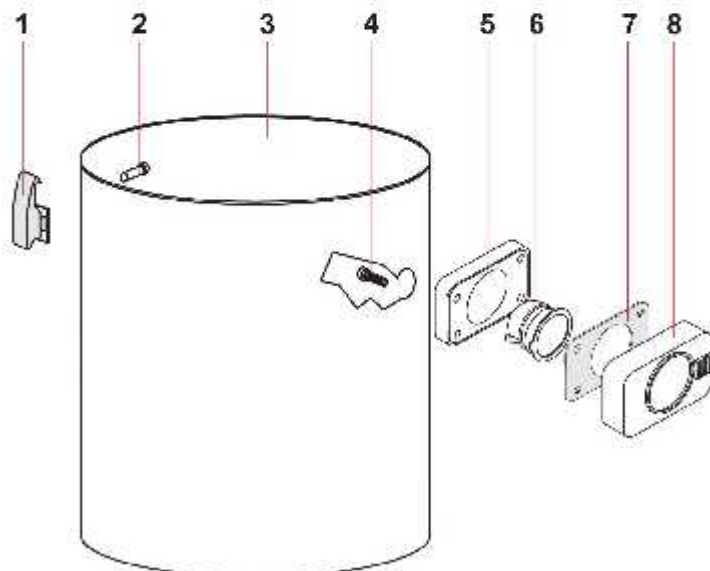


## VUES ÉCLATÉES CUVE ET CHARIOT

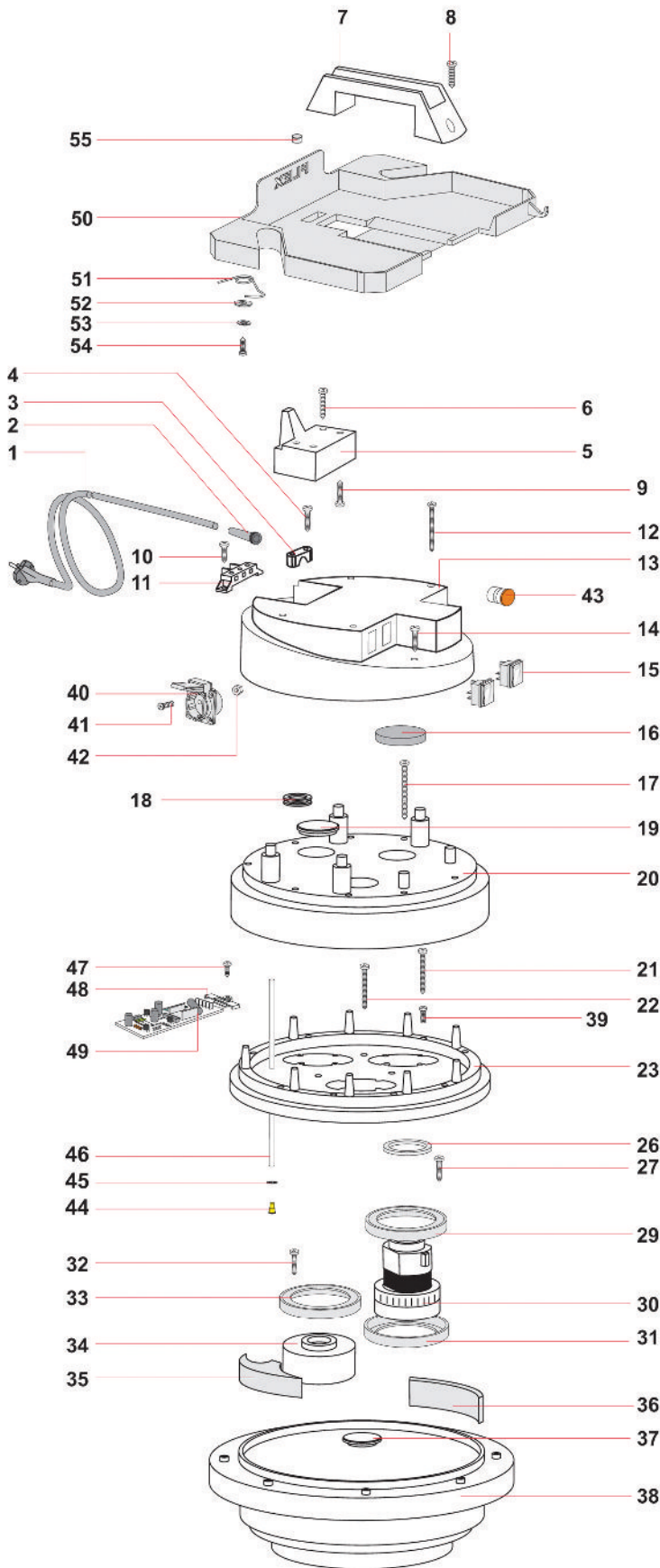


| PIECES CHARIOT AF21 |           |                           |           |
|---------------------|-----------|---------------------------|-----------|
| REPERE              | REFERENCE | DESIGNATION               | NB PIECES |
| 1                   | 597145    | BERCEAU                   | 1         |
| 2                   | 597146    | COUDE GAUCHE POUR BERCEAU | 1         |
| 3                   | 597147    | COUDE DROIT POUR BERCEAU  | 1         |
| 4                   | 597022    | RACCORD EN T              | 2         |
| 5                   | 597023    | RIVET                     | 4         |
| 6                   | 597024    | PIECE DE SERRAGE          | 1         |
| 7                   | 597025    | MOLETTE                   | 1         |
| 8                   | 597026    | ENTRETOISE                | 1         |
| 9                   | 597027    | PLAQUE                    | 1         |
| 10                  | 597028    | RIVET                     | 2         |
| 11                  | 597148    | EMBASE CHARIOT AF21       | 1         |
| 12                  | 597031    | VIS                       | 2         |
| 13                  | 597032    | RONDELLE                  | 2         |
| 14                  | 597033    | ROUE ARRIERE              | 2         |
| 15                  | 597034    | MOYEU                     | 2         |
| 16                  | 597035    | ECROU                     | 2         |
| 17                  | 597036    | RIVET                     | 2         |
| 18                  | 597149    | ROUE AVANT                | 2         |
| 19                  | 597040    | POIGNEE CAOUTCHOUC        | 2         |
| 20                  | 597150    | BOUCHON                   | 2         |
| 21                  | 597151    | SUPPORT GIRAFE DROIT      | 1         |
| 22                  | 597152    | SUPPORT GIRAFE GAUCHE     | 1         |

| PIECES CUVE INOX AF21 |           |                          |           |
|-----------------------|-----------|--------------------------|-----------|
| REPERE                | REFERENCE | DESIGNATION              | NB PIECES |
| 1                     | 597009    | CROCHET DE FERMETURE     | 2         |
| 2                     | 597010    | RIVET                    | 4         |
| 3                     | 597144    | CUVE INOX AF21           | 1         |
| 4                     | 597014    | VIS 5X30                 | 4         |
| 5                     | 598015    | EMBASE ENTREE DE CUVE    | 1         |
| 6                     | 597017    | RACCORD ENTREE DE CUVE   | 1         |
| 7                     | 597016    | PLAQUE                   | 1         |
| 8                     | 597018    | VERROUILLAGE ENTREE CUVE | 1         |



## VUES ÉCLATÉES MOTEUR et MICROFILTRE



| PIECES MOTEUR AF21 REF 921000 |           |                                    |           |
|-------------------------------|-----------|------------------------------------|-----------|
| REPERE                        | REFERENCE | DESIGNATION                        | NB PIECES |
| 1                             | 597043    | CABLE ELECTRIQUE 3X1,5             | 1         |
| 2                             | 597044    | PASSE CABLE                        | 1         |
| 3                             | 597045    | SERRE-CABLE                        | 1         |
| 4                             | 597046    | VIS 5X20                           | 2         |
| 5                             | 597047    | CACHE CONNEXION                    | 1         |
| 6                             | 597061    | VIS 5X55                           | 4         |
| 7                             | 597049    | POIGNEE                            | 1         |
| 8                             | 597051    | VIS 5X30                           | 1         |
| 9                             | 597052    | VIS 5X20                           | 2         |
| 10                            | 597053    | VIS 5X14                           | 2         |
| 11                            | 597054    | CONNECTEUR                         | 1         |
| 12                            | 597061    | VIS 5X55                           | 4         |
| 13                            | 597132    | CAPOT SUPERIEUR                    | 1         |
| 14                            | 597052    | VIS 5X20                           | 2         |
| 15                            | 597059    | COMMUTATEUR                        | 1         |
| 16                            | 597060    | FILTRE                             | 1         |
| 17                            | 597061    | VIS 5X55                           | 9         |
| 18                            | 597062    | PASSE-FIL                          | 1         |
| 19                            | 597063    | OBTURATEUR                         | 2         |
| 20                            | 597064    | COUVERCLE SUPERIEUR MOTEUR         | 1         |
| 21                            | 597065    | VIS 5X40                           | 9         |
| 22                            | 597065    | VIS 5X40                           | 3         |
| 23                            | 597067    | FIXATION MOTEUR                    | 1         |
| 26                            | 597069    | RONDELLE                           | 1         |
| 27                            | 597052    | VIS 5X20                           | 4         |
| 29                            | 597072    | GARNITURE                          | 1         |
| 30                            | 597122    | MOTEUR 2 ETAGES S 42               | 1         |
| 31                            | 597072    | GARNITURE                          | 1         |
| 32                            | 597052    | VIS 5X20                           | 8         |
| 33                            | 597072    | GARNITURE                          | 2         |
| 34                            | 597079    | CACHE MOTEUR                       | 2         |
| 35                            | 597080    | SILENCIEUX                         | 3         |
| 36                            | 597081    | FILTRE                             | 3         |
| 37                            | 597083    | OBTURATEUR                         | 2         |
| 38                            | 597133    | EMBASE MOTEUR NOIRE                | 1         |
| 39                            | 597134    | VIS M5X30                          | 1         |
| 40                            | 597090    | PRISE                              | 2         |
| 41                            | 597089    | VIS M4X12                          | 8         |
| 42                            | 597088    | ECROU M4                           | 8         |
| 43                            | 597135    | VOYANT DEPRESSION                  | 1         |
| 44                            | 597136    | BUSE DEPRESSION                    | 1         |
| 45                            | 597137    | CLIPS                              | 1         |
| 46                            | 597138    | TUYAU PLASTIQUE                    | 1         |
| 47                            | 597052    | VIS 5X20                           | 2         |
| 48                            | 597086    | FIXATION PLATINE                   | 2         |
| 49                            | 597085    | PLATINE ELECTRIQUE                 | 1         |
| 50                            | 597094    | PLATEAUPLASTIQUE PORTE-ACCESSOIRES | 1         |
| 51                            | 597139    | RESSORT                            | 2         |
| 52                            | 597124    | RONDELLE                           | 2         |
| 53                            | 597123    | RONDELLE                           | 2         |
| 54                            | 597053    | VIS 5X14                           | 2         |
| 55                            | 597140    | BOUCHON                            | 14        |

| KIT FILTRATION AF21 |           |                   |           |
|---------------------|-----------|-------------------|-----------|
| REPERE              | REFERENCE | DESIGNATION       | NB PIECES |
| 1                   | 597141    | JOINT             | 1         |
| 2                   | 597142    | SUPPORT CARTOUCHE | 1         |
| 3                   | 597143    | VIS 5X20          | 4         |
| 4                   | 919100    | MICROFILTRE       | 1         |

