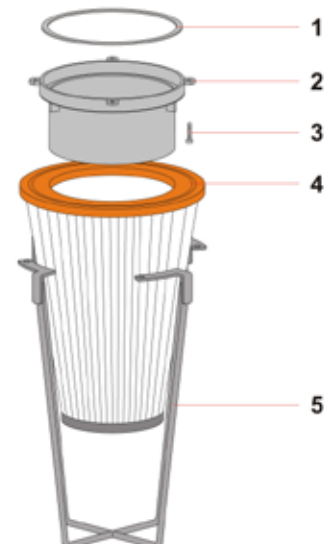
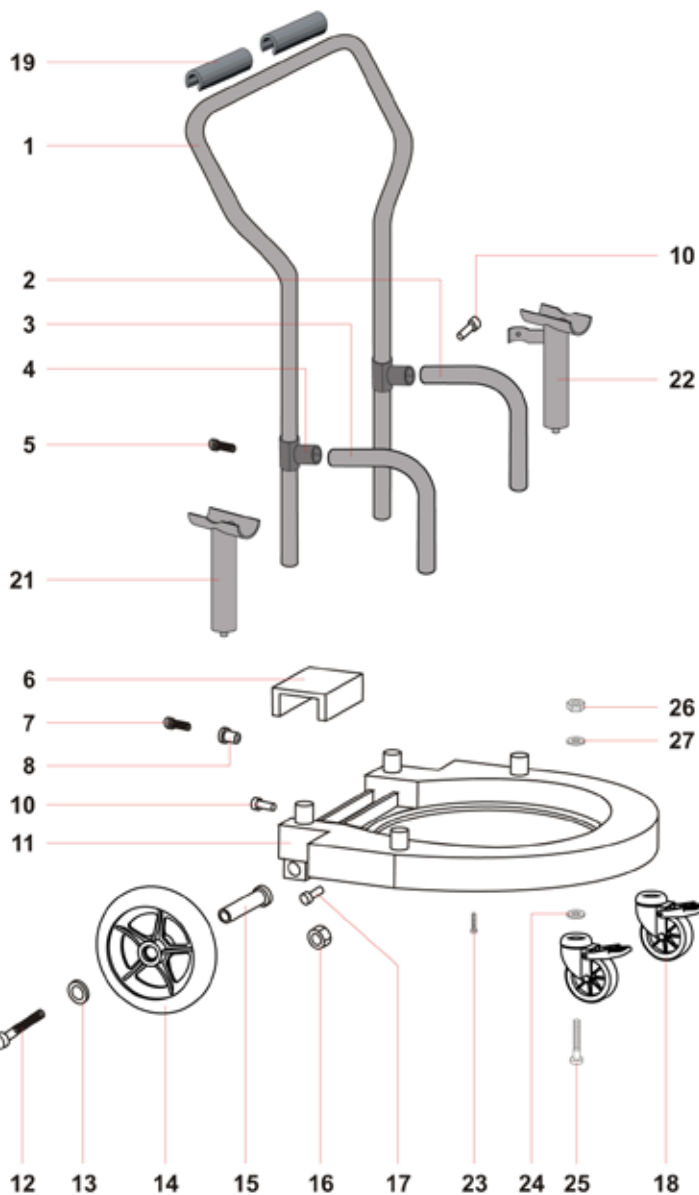
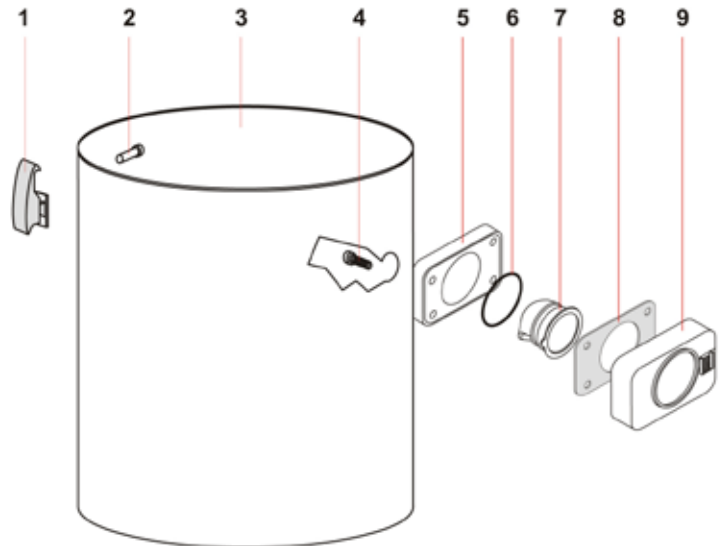


| PIECES MOTEUR BHF21 REF 961 600 |           |                              |           |
|---------------------------------|-----------|------------------------------|-----------|
| REPERE                          | REFERENCE | DESIGNATION                  | NB PIECES |
| 1                               | 597043    | CABLE ELECTRIQUE 3X1.5       | 1         |
| 2                               | 599038    | PASSE CABLE                  | 1         |
| 3                               | 597045    | SERRE-CABLE                  | 1         |
| 4                               | 597046    | VIS 5X20                     | 2         |
| 5                               | 597047    | CACHE CONNEXION              | 1         |
| 6                               | 597061    | VIS 5X55                     | 4         |
| 7                               | 597049    | POIGNEE                      | 1         |
| 8                               | 597014    | VIS 5X30                     | 1         |
| 9                               | 597046    | VIS 5X20                     | 2         |
| 10                              | 597053    | VIS 5X14                     | 2         |
| 11                              | 599088    | CONNECTEUR BHF21             | 1         |
| 12                              | 597061    | VIS 5X55                     | 4         |
| 13                              | 599078    | CAPOT SUPERIEUR              | 1         |
| 14                              | 597046    | VIS 5X20                     | 2         |
| 15                              | 597059    | COMMUTEUR                    | 1         |
| 16                              | 597061    | VIS 5X55                     | 9         |
| 17                              | 599093    | PASSE-FIL                    | 1         |
| 18                              | 597063    | OBTURATEUR                   | 2         |
| 19                              | 599079    | COUVERCLE SUPERIEUR MOTEUR   | 1         |
| 20                              | 597065    | VIS 5X40                     | 9         |
| 21                              | 597065    | VIS 5X40                     | 3         |
| 22                              | 597067    | FIXATION MOTEUR              | 1         |
| 23                              | 599037    | VIS M5X16                    | 4         |
| 24                              | 599086    | JOINT                        | 1         |
| 25                              | 508716    | MOTEUR ASPIRATEUR HF         | 1         |
| 26                              | 599098    | JOINT MOTEUR                 | 1         |
| 27                              | 597046    | VIS 5X20                     | 8         |
| 28                              | 597072    | JOINT                        | 2         |
| 29                              | 597079    | CACHE MOTEUR                 | 2         |
| 30                              | 597080    | SILENCIEUX                   | 3         |
| 31                              | 597081    | FILTRE                       | 3         |
| 32                              | 597083    | OBTURATEUR                   | 2         |
| 33                              | 599089    | BASSEMENT MOTEUR             | 1         |
| 34                              | 597134    | VIS M5X30                    | 1         |
| 35                              | 597090    | PRISE                        | 1         |
| 36                              | 599096    | VIS M4X12                    | 4         |
| 37                              | 599041    | ECROU M4                     | 4         |
| 38                              | 599043    | PLATEAU PORTE ACCESSOIRES HF | 1         |
| 39                              | 597139    | RESSORT                      | 1         |
| 40                              | 597159    | RONDELLE 8 X 32              | 1         |
| 41                              | 597119    | RONDELLE 6X18X1.5            | 2         |
| 42                              | 597053    | VIS 5X14                     | 1         |
| 43                              | 597158    | VIS 5 X 25                   | 2         |
| 44                              | 508632    | PRISE HF                     | 1         |

| KIT FILTRATION BHF21L |           |                                |           |
|-----------------------|-----------|--------------------------------|-----------|
| REPERE                | REFERENCE | DESIGNATION                    | NB PIECES |
| 1                     | 597157    | JOINT                          | 1         |
| 2                     | 597142    | SUPPORT CARTOUCHE DU FILTRE    | 1         |
| 3                     | 597156    | VIS 5X30                       | 4         |
| 4                     | 919102    | MICROFILTRE CONIQUE EN H 11(L) | 1         |
| 5                     | 598101    | CAGE FIL ENTRECROISES          | 1         |



| PIECES CUVE CARBONE BHF 21L |           |                             |           |
|-----------------------------|-----------|-----------------------------|-----------|
| REPERE                      | REFERENCE | DESIGNATION                 | NB PIECES |
| 1                           | 597009    | CROCHET DE FERMETURE        | 2         |
| 2                           | 597010    | RIVET                       | 4         |
| 3                           | 597155    | CUVE CARBONE BF 21          | 1         |
| 4                           | 597014    | VIS 5X30                    | 4         |
| 5                           | 597015    | EMBASE ENTREE DE CUVE       | 1         |
| 6                           | 597133    | JOINT TORIQUE               | 1         |
| 7                           | 597017    | RACCORD ENTREE DE CUVE S 41 | 1         |
| 8                           | 597016    | PLAQUE                      | 1         |
| 9                           | 598099    | VERROUILLAGE ENTREE CUVE    | 1         |



| PIECES CHARIOT BHF 21L |           |                           |           |
|------------------------|-----------|---------------------------|-----------|
| REPERE                 | REFERENCE | DESIGNATION               | NB PIECES |
| 1                      | 597145    | BERCEAU                   | 1         |
| 2                      | 597021    | COUDE GAUCHE POUR BERCEAU | 1         |
| 3                      | 597021    | COUDE DROIT POUR BERCEAU  | 1         |
| 4                      | 597022    | RACCORD EN T              | 2         |
| 5                      | 597036    | RIVET 5 X 15              | 2         |
| 6                      | 597024    | PIECE DE SERRAGE          | 1         |
| 7                      | 597117    | VIS 5 X 35                | 1         |
| 8                      | 597099    | ENTRETOISE                | 1         |
| 10                     | 597023    | RIVET 5 X 19              | 4         |
| 11                     | 599104    | EMBASE CHARIOT ROUGE      | 1         |
| 12                     | 597031    | VIS                       | 2         |
| 13                     | 597032    | RONDELLE                  | 2         |
| 14                     | 599046    | ROUE ARRIERE              | 2         |
| 15                     | 597034    | MOYEU                     | 2         |
| 16                     | 597035    | ECROU                     | 2         |
| 17                     | 597023    | RIVET 5 X 19              | 2         |
| 18                     | 508671    | ROULETTE                  | 2         |
| 19                     | 597040    | POIGNEE CAOUTCHOUC        | 2         |
| 21                     | 597151    | SUPPORT GIRAFE DROIT      | 1         |
| 22                     | 597152    | SUPPORT GIRAFE GAUCHE     | 1         |
| 23                     | 597053    | VIS 5 X 14                | 6         |
| 24                     | 599032    | RONDELLE                  | 2         |
| 25                     | 599048    | VIS M10X50                | 2         |
| 26                     | 599092    | ECROU                     | 2         |
| 27                     | 599048    | VIS M10X50                | 2         |