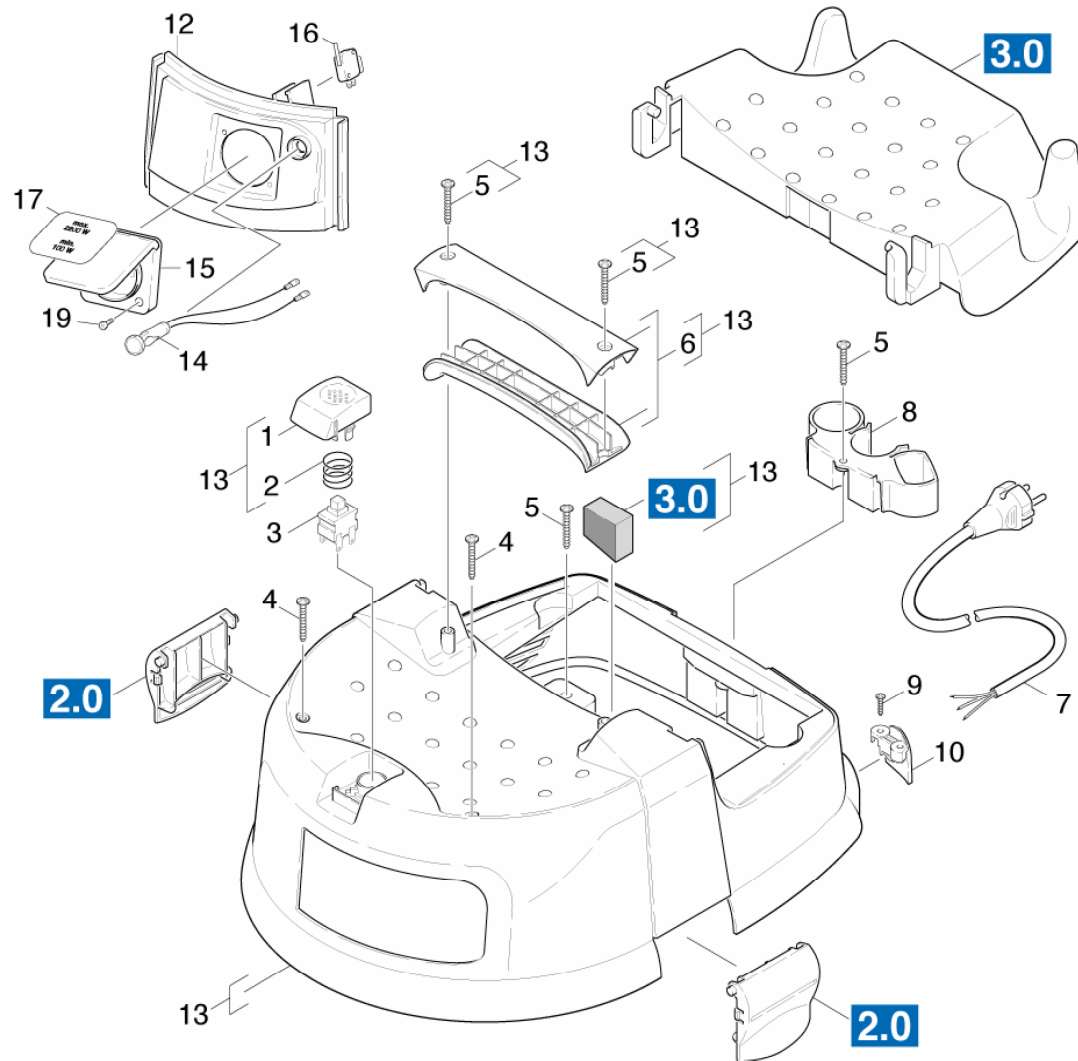
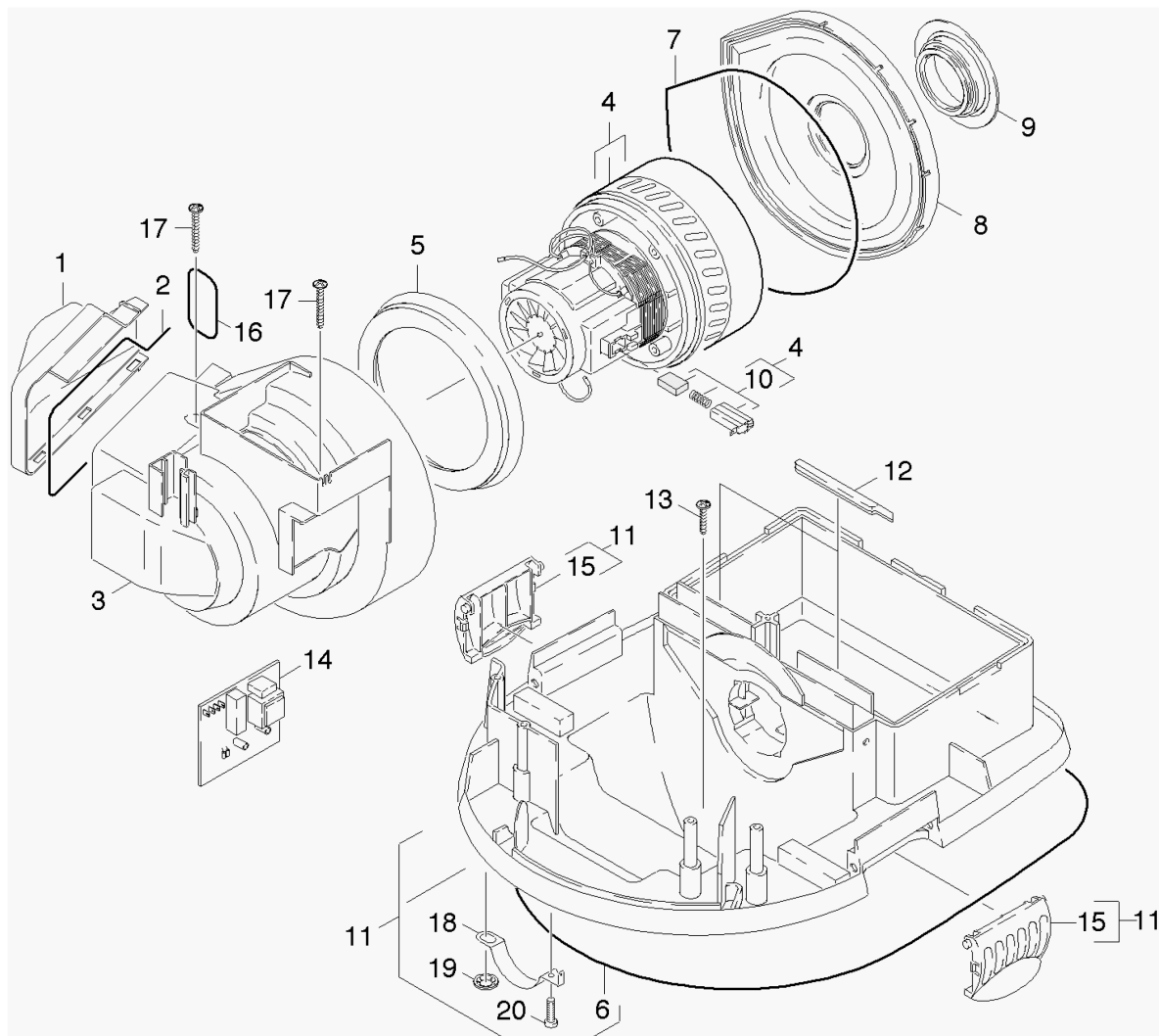


Haube Einzelteile



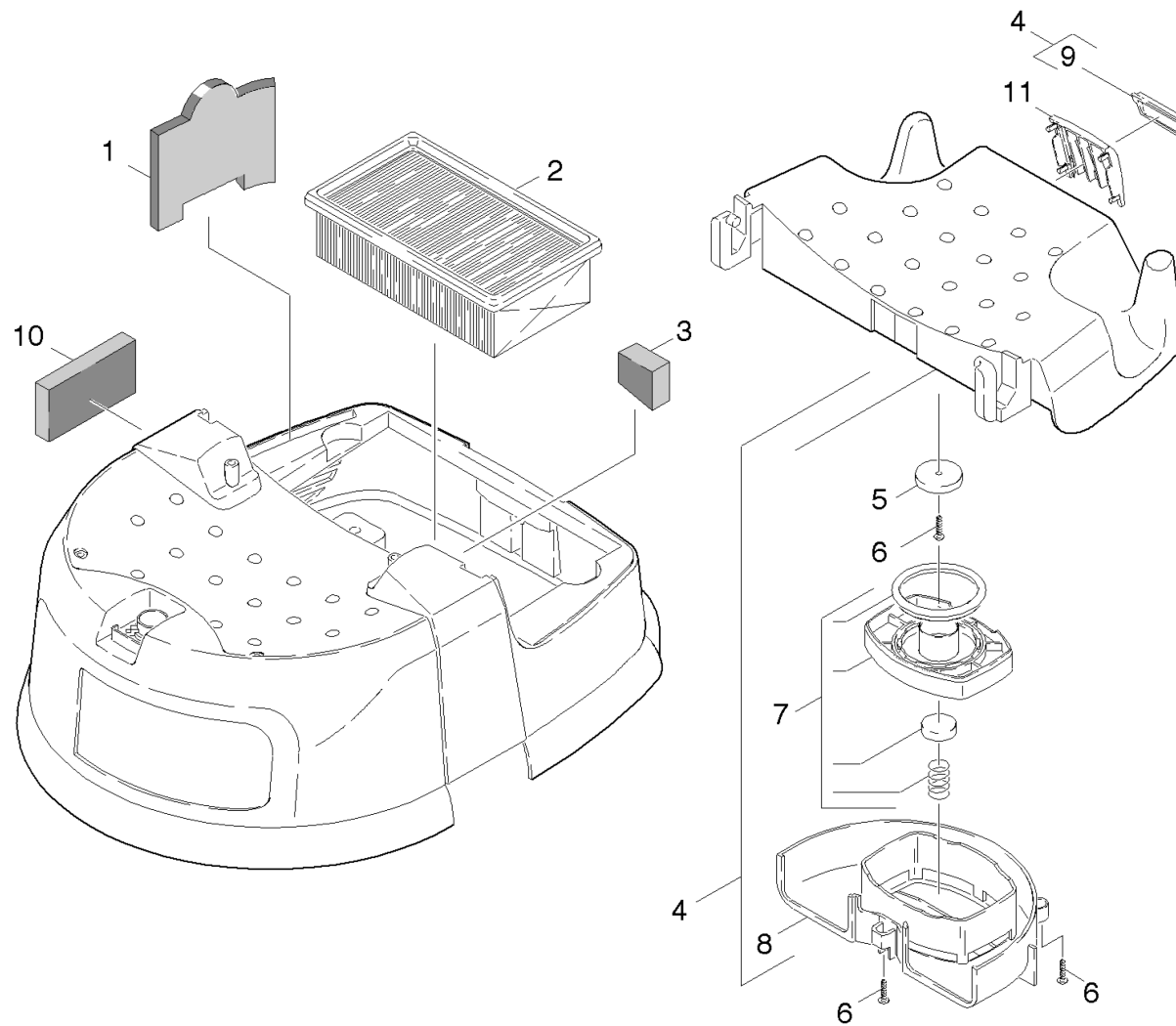
| VC 35 L MC | | | |
|------------|------|-----------|-----------|
| | Pos. | Teile-Nr. | Stückzahl |
| H | 1 | 297.453 | 1 |
| H | 2 | 297.461 | 1 |
| H | 3 | 340.618 | 1 |
| H | 4 | 297.496 | 2 |
| H | 5 | 297.518 | 4 |
| H | 6 | 297.526 | 1 |
| H | 7 | 297.534 | 1 |
| H | 8 | 297.542 | 1 |
| H | 9 | 329.797 | 2 |
| H | 10 | 297.569 | 1 |
| H | 12 | 297.577 | 1 |
| H | 13 | 374.466 | 1 |
| H | 14 | 297.593 | 1 |
| H | 15 | 297.607 | 1 |
| H | 16 | 297.615 | 1 |
| H | 17 | 297.623 | 1 |
| H | 19 | 297.631 | 2 |

Turbine und Gehäuse



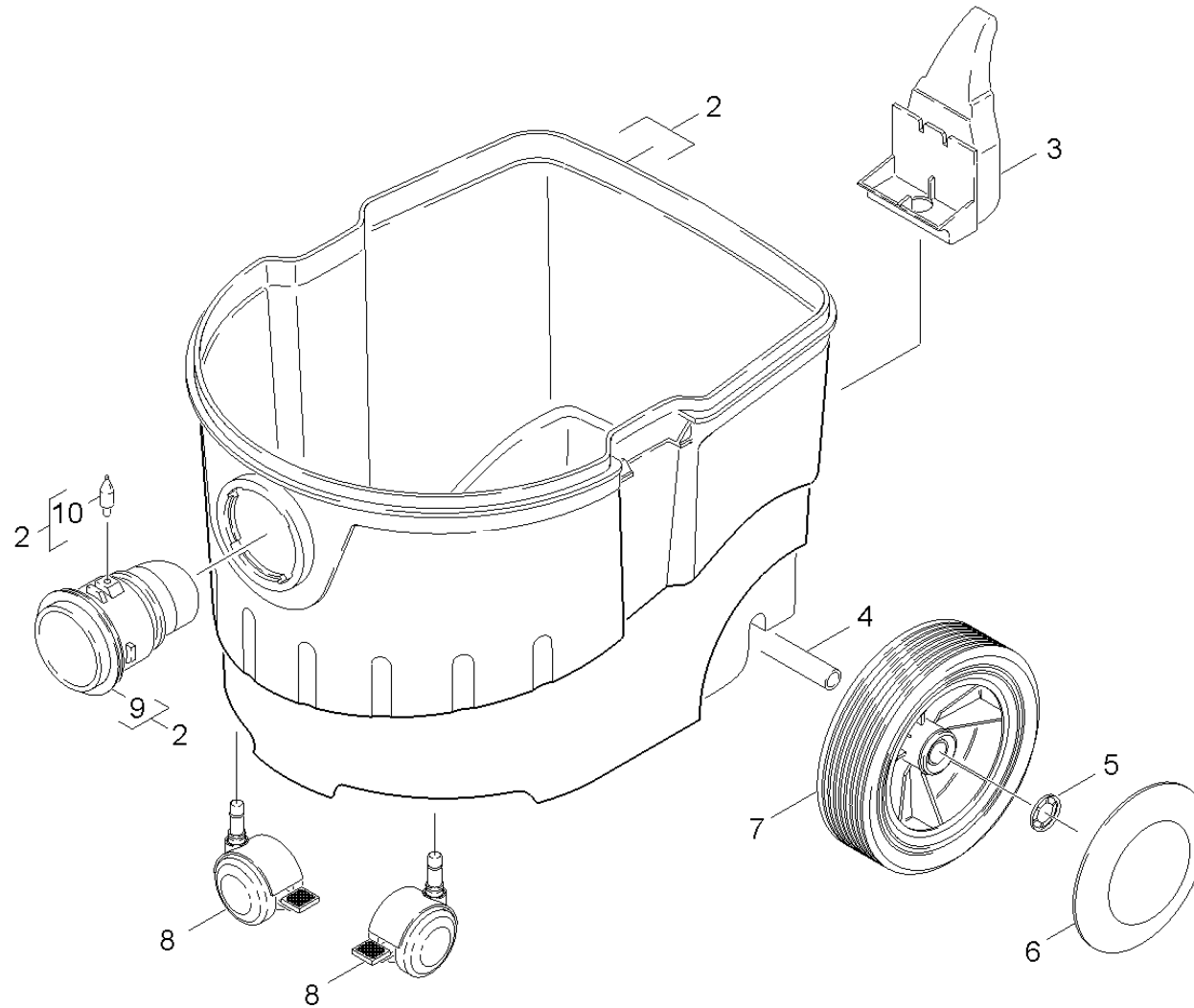
| VC 35 L MC | | | |
|------------|------|-----------|-----------|
| | Pos. | Teile-Nr. | Stückzahl |
| T | 1 | 297.801 | 1 |
| T | 2 | 297.828 | 1 |
| T | 3 | 297.836 | 1 |
| T | 4 | 297.844 | 1 |
| T | 5 | 297.852 | 1 |
| T | 6 | 297.860 | 1 |
| T | 7 | 297.879 | 1 |
| T | 8 | 297.887 | 1 |
| T | 9 | 297.895 | 1 |
| T | 10 | 297.909 | 1 |
| T | 11 | 297.917 | 1 |
| T | 12 | 297.925 | 2 |
| T | 13 | 375.047 | 2 |
| T | 14 | 297.941 | 1 |
| T | 15 | 297.968 | 2 |
| T | 16 | 297.976 | 1 |
| T | 17 | 297.984 | 2 |
| T | 18 | 297.992 | 1 |
| T | 19 | 298.018 | 1 |
| T | 20 | 297.550 | 1 |

Filter



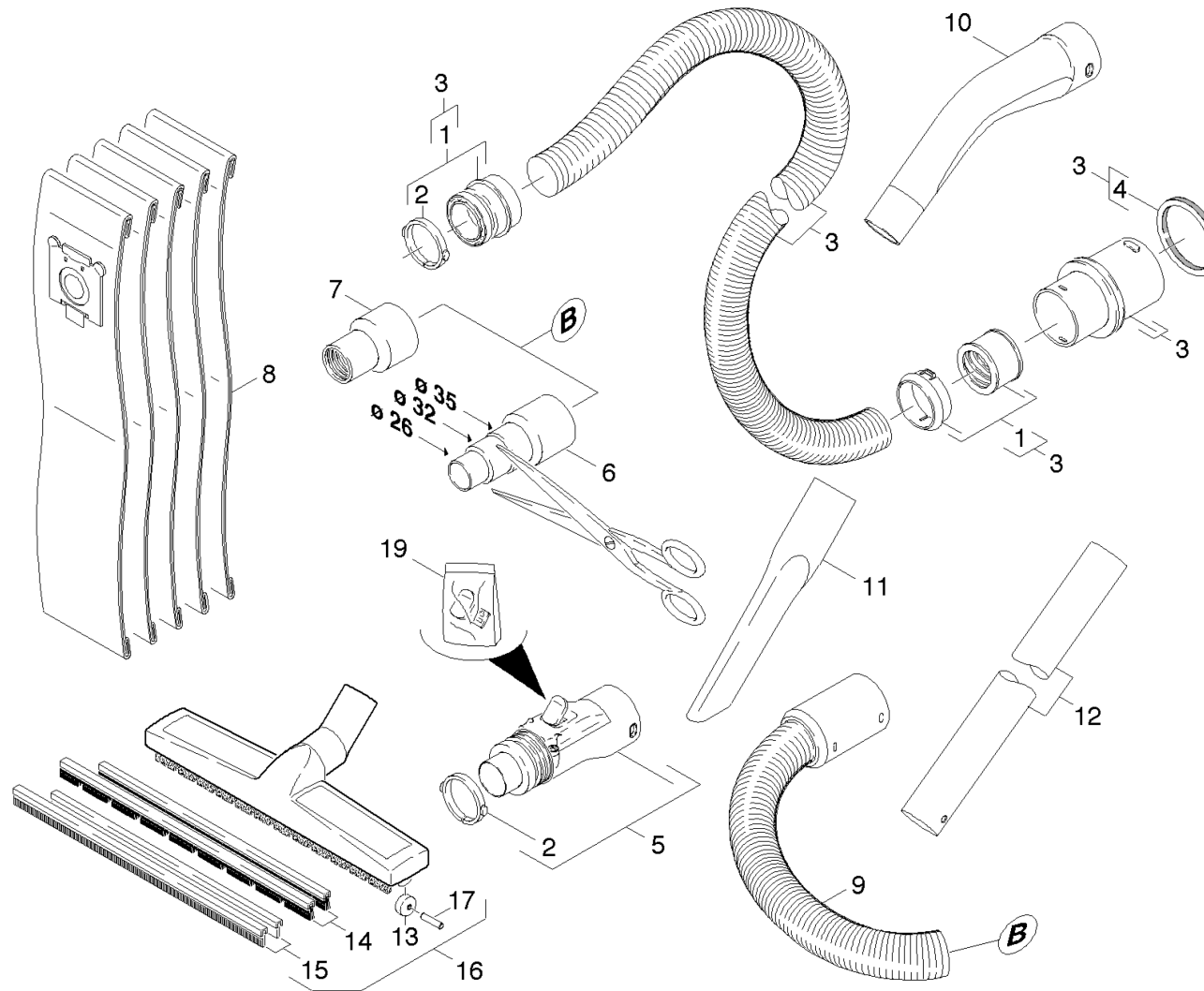
| VC 35 L MC | | | |
|------------|------|-----------|-----------|
| | Pos. | Teile-Nr. | Stückzahl |
| F | 1 | 305.766 | 1 |
| F | 2 | 337.692 | 1 |
| F | 3 | 298.042 | 1 |
| F | 4 | 298.050 | 1 |
| F | 5 | 298.069 | 1 |
| F | 6 | 297.550 | 4 |
| F | 7 | 298.220 | 1 |
| F | 8 | 298.093 | 1 |
| F | 9 | 298.123 | 1 |
| F | 10 | 298.115 | 1 |
| F | 11 | 298.271 | 1 |

Behälter Einzelteile



| VC 35 L MC | | | |
|------------|------|-----------|-----------|
| | Pos. | Teile-Nr. | Stückzahl |
| B | 2 | 298.131 | 1 |
| B | 3 | 298.158 | 1 |
| B | 4 | 298.166 | 1 |
| B | 5 | 298.174 | 2 |
| B | 6 | 298.182 | 2 |
| B | 7 | 298.190 | 2 |
| B | 8 | 298.204 | 2 |
| B | 9 | 298.212 | 1 |
| B | 10 | 298.298 | 1 |

Zubehoer



| VC 35 L MC | | | |
|------------|------|-----------|-----------|
| | Pos. | Teile-Nr. | Stückzahl |
| Z | 1 | 296.988 | 1 |
| Z | 2 | 379.654 | 2 |
| Z | 3 | 299.782 | 1 |
| Z | 4 | 298.239 | 1 |
| Z | 5 | 298.255 | 1 |
| Z | 6 | 259.827 | 1 |
| Z | 7 | 251.847 | 1 |
| Z | 8 | 296.961 | 1 |
| Z | 9 | 296.953 | 1 |
| Z | 10 | 297.038 | 1 |
| Z | 11 | 259.627 | 1 |
| Z | 12 | 300.691 | 2 |
| Z | 13 | 300.667 | 2 |
| Z | 14 | 300.675 | 1 |
| Z | 15 | 300.683 | 1 |
| Z | 16 | 300.659 | 1 |
| Z | 17 | 304.204 | 2 |
| Z | 19 | 325.716 | 1 |